

# Cece pendant lamp

# technical sheet

Cece pendant collection rises from a collaboration with a 7 years old designer. Starting from a naive doodle with a given task of imaging her desired pendant lamp, Cece lamp slowly began to take shape firstly as a bell then technical constraints and proportion shaping have defined the final appearance of every single elements.

The glass lampshade is enriched by colour tones that represents chromatic choices as delicate as a child but at the same time as confident as an adult would choose. The three open pore lacquered ash wood elements have an outline that reminds the silhouette of a chain hanging up a bell whereas the brass distance rings are a direct link to the material used for bells.

The casted light is warm thanks to the matte white finish of the lampshade inside.

Cece is available in 4 pastel and delicate colours both for the lampshade and for the ash wood elements.



## Design by:

Enrico Zanolla / 2018

## Type:

Pendant lamp

## Material:

Lampshade in mouth blown glass, ash wood, transparent cable

## Cord length:

180cm

## Canopy:

CableCup® covering included, black, 125mm x 60mm

## Bulb included:

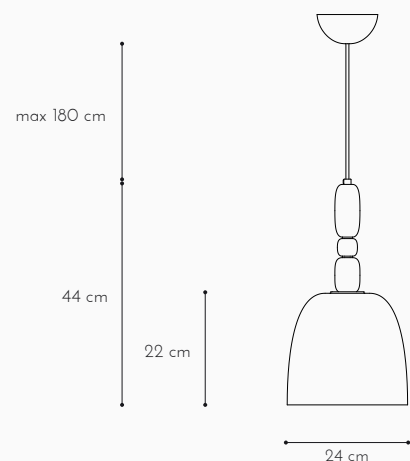
No

## Cleaning instructions:

clean the product with a damp soft cloth using soap or neutral liquid detergent, preferably diluted in water.

## Certifications:

CE IP 20 0.3m



### zanolla. Cece pendant



This luminaire is compatible with bulbs of the energy classes:



The luminaire is sold without a bulb.

874/2012

